

Produkt-Datenblatt

safetyBag® HPRC 3500 adventureLine



Gut verpackt

Ref.-Nr.: 001-PDB-RSWE-3500-2019

Stand: 03.2019



* open cases images reflect the different HPRC cases internal options

TECHNICAL FEATURES

Dimension:
 internal dimension 433x319x169(mm) - 17.05x12.56x6.65(in)
 external dimension 498x370x185(mm) - 19.61x14.57x7.28(in)

lid: 72(mm) - 2.83(in) bottom: 97(mm) - 3.81(in)

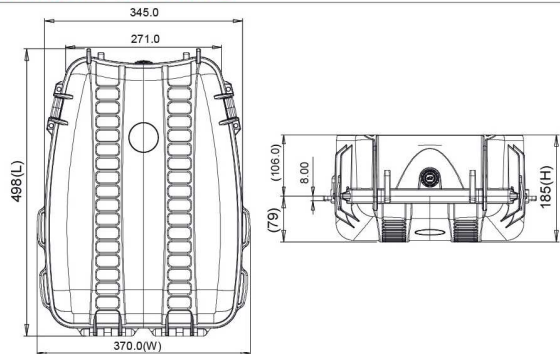
Weight:
 empty: 3,00kg - 6.61lbs
 with cubed foam: 3,55kg - 7.82lbs

Temperature rating:
 Minimum Maximum
 -40°C -40°F +80°C +176°F

Colors:
 Black



TECHNICAL DRAWING



* cubed foam

* interior bag



APPROVALS
 ATA 300
 IP67
 STANAG 4280
 DS 81-41

TEST
 DROP
 IMPACT
 HANDLE
 WATERTIGHT INTEGRITY
 UV COLOR AND MATERIAL
 PROTECTION



ACCESSORIES

<p>HPRCCUB3500 CUBED FOAM USA:HPRCFO (foam only)</p>	<p>HPRCBAG3500 INTERIOR BAG USA:HPRCIC (internal case)</p>	<p>HPRCORG3500 LID ORGANIZER</p>