

# Produkt-Datenblatt

## safetyBag® HPRC 2580 adventureLine



Gut verpackt

Ref.-Nr.: 001-PDB-RSWE-2580-2019

Stand: 02.2019



\* open cases images reflect the different HPRC cases internal options

### TECHNICAL FEATURES

**Dimension:**

internal dimension 390x310x89(mm) - 15.35x12.20x3.50(in)  
 external dimension 410x359x110(mm) - 16.14x14.13x4.33(in)



lid: 44(mm) - 1.73(in) bottom: 45(mm) - 1.77(in)

**Weight:**

empty: 2,40kg - 5.29lbs  
 with cubed foam: 2,57kg - 5.67lbs



**Temperature rating:**

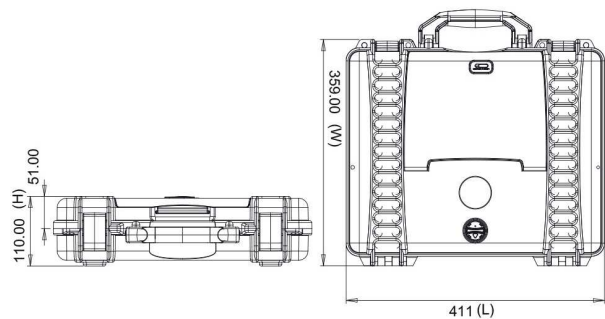
Minimum -40°C -40°F      Maximum +80°C +176°F

**Colors:**

Black



### TECHNICAL DRAWING



\* cubed foam



\* interior bag



**APPROVALS**  
 ATA 300  
 IP67  
 STANAG 4280  
 DS 81-41

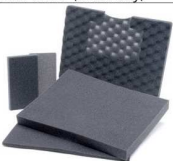
**TEST**  
 DROP  
 IMPACT  
 HANDLE  
 WATERTIGHT INTEGRITY  
 UV COLOR AND MATERIAL PROTECTION



### ACCESSORIES

**HPRCUB2580**

CUBED FOAM  
 USA:HPRCFO (foam only)



**HPRCL0708TSA-1**

PADLOCK - TSA



**HPRCSTRAP**



**HPRCORG2580**

LID ORGANIZER

